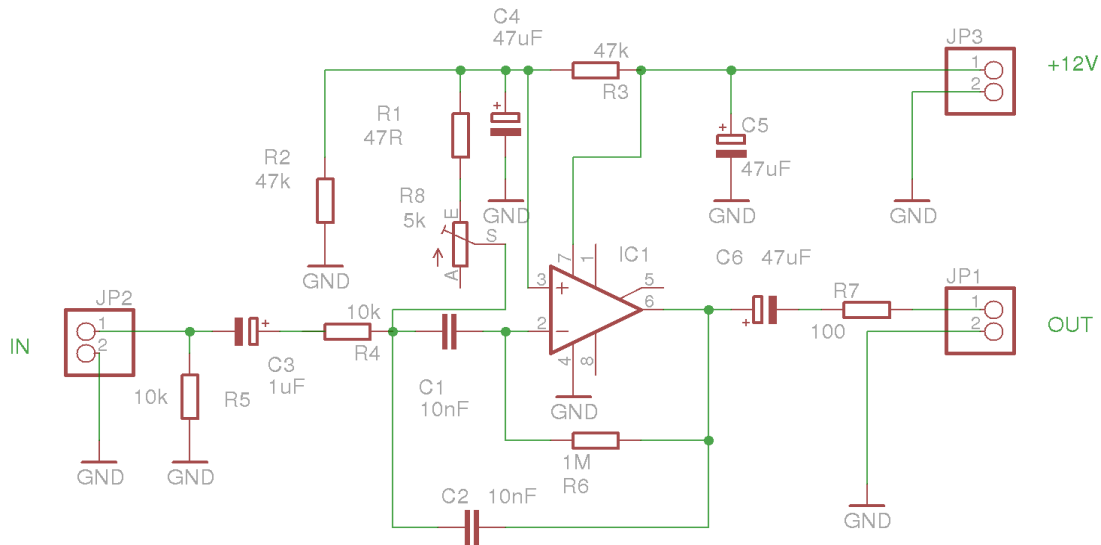


# Simple CW audio filter

This simple cw audio filter is designed for simple equipment as Rock-Mite. The goal was to make a simple CW filter on the smallest board that had been built into existing equipment. Since Rock-Mite, and similar transceivers, have different shift between rx (400-1000Hz) and tx the filter allows tuning center frequency of the filter with trimmer R8. The filter uses an operational amplifier (TL-081) and a few passive components. The entire design is SMD size 0805 on the small board 25x17mm.

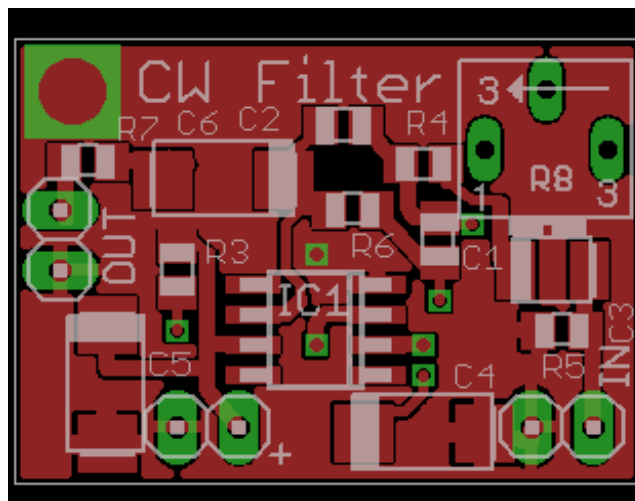


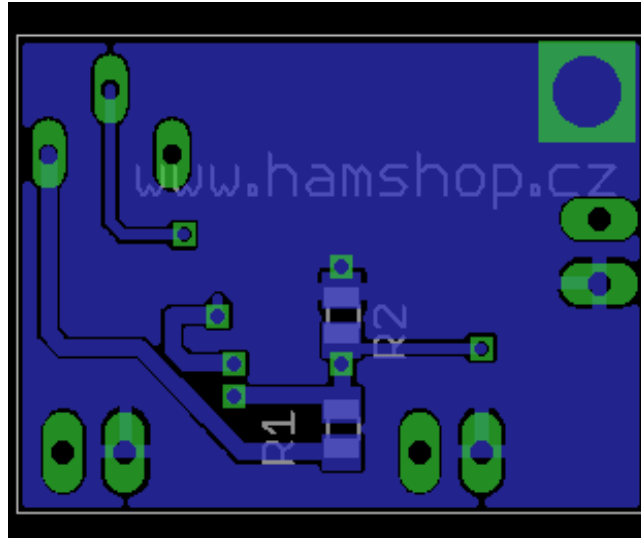
Rock-Mite Audio filter

OK1CDJ 2012

## Building instructions:

- 1) first place all resistors on the top side of the boards
- 2) place IC1
- 3) place capacitor C1 and C2 and C3
- 4) place all rest of capacitors on the top of the board ( polarity !!!)
- 5) place resistor R1 and R2 on the bottom side of the board
- 6) place trimmer R8





Part list:

| Part | Value  | Device       |
|------|--------|--------------|
| C1   | 10nF   | C-EUC0805    |
| C2   | 10nF   | C-EUC0805    |
| C3   | 1uF    | CPOL-EUSMCB  |
| C4   | 47uF   | CPOL-EUSMCC  |
| C5   | 47uF   | CPOL-EUSMCC  |
| C6   | 47uF   | CPOL-EUSMCC  |
| IC1  | TL081D | SOIC8        |
| R1   | 47R    | R-EU_R0805   |
| R2   | 47k    | R-EU_R0805   |
| R3   | 47k    | R-EU_R0805   |
| R4   | 10k    | R-EU_R0805   |
| R5   | 10k    | R-EU_R0805   |
| R6   | 1M     | R-EU_R0805   |
| R7   | 100    | R-EU_R0805   |
| R8   | 5k     | TRIM_EU-RJ6S |

<http://www.hamshop.cz>