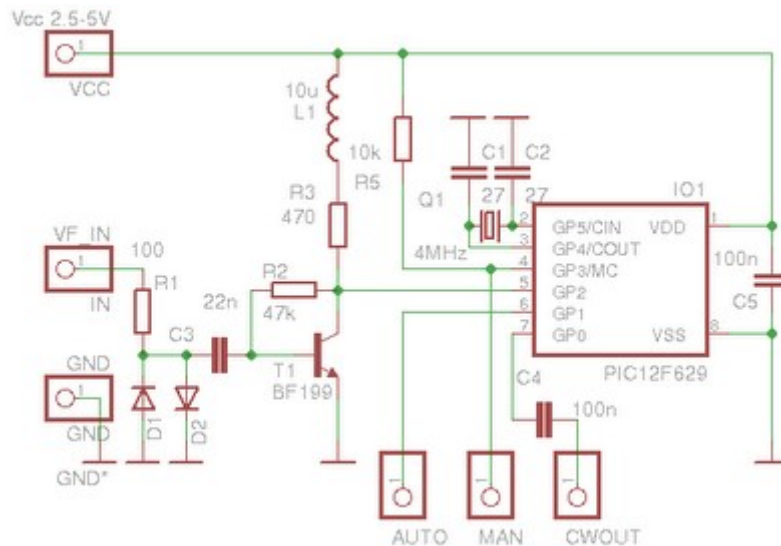


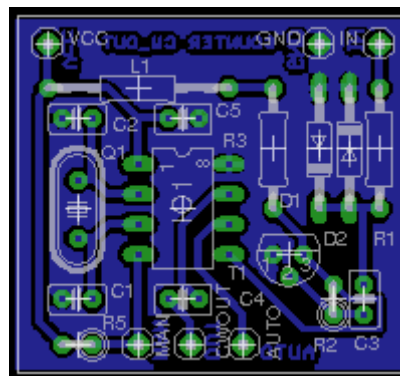
Counter with CW output as the scale for QRP TRX

Construction is very simple. The heart of the counter is a PIC 12F629 microcontroller and pre-amplifier with BF199. Current consumption of the counter is 3 mA at 3V. Counter have two modes. MAN mode (after grounding pin MAN) plays the last two digits of frequency in KHz. When is grounded pin AUTO. Counter beeps each time you change the frequency of 1KHz. If the frequency is not changed for 2 seconds counter play last two digits of frequency in KHz.



Schematic

It is necessary to be aware of the connection terminals of T1. Emitter is on the PCB labeled 1, base 2 and collector 3.



PCB

Part list

R1	100R
R2	47k
R3	470R
R5	10k
C1, C2	22pF
C3	22F
C4, C5	100nF
L1	10uH
D1, D2	BAT48
T1	BF199
Q1	4MHz
IO1	PIC 12F629 -naprogramovaný

Questions ? Ondra@ok1cdj.com

<http://www.hamshop.cz>