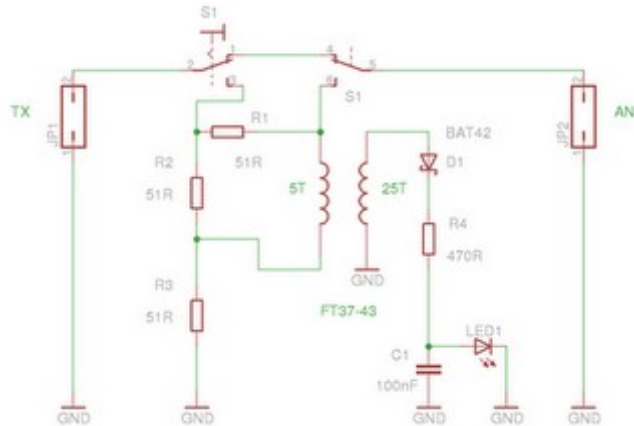


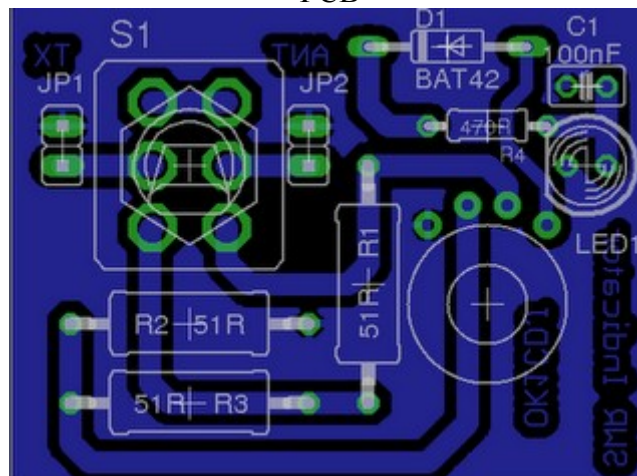
SWR indicator / SWR bridge KIT

This kit will enable you to always know if your rig is matched to the antenna. The neat thing is that it also has a built in bridge that you can use to tune up and not harm your finals. This kit is ideal for building into a rig, or you can build it stand alone in a small box. There are only 2 connections to make, transmitter and antenna. To operate, switch the bridge in, tune your antenna tuner until the LED goes out or dims, then switch to operate and you are ready to transmit.



Schematic

PCB



Seznam součástek:

C1	100nF
D1	BAT42 or any type of schotky diode
L1	TOROID FT37-43 5turns/25turns wire diameter 0.2mm
LED1	LED5MM
R1, R2, R3	51R/ 2W
R4	470R

Maximal power 5W !!!

Questions ?? mail to ondra@ok1cdj.com

<http://www.hamshop.cz>

